

## APPENDIX 5

### EXAMPLE OF NT6.1 ITEMS

If three ingots of iron each weigh 330 kg, what would be their collective weight?

A  
110 kg

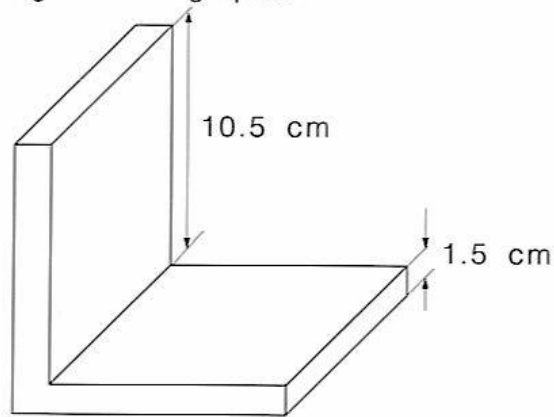
B  
660 kg

C  
720 kg

D  
960 kg

E  
990 kg

What is the overall height of the angle plate?



A  
12 cm

B  
13 cm

C  
14 cm

D  
15 cm

E  
16 cm

If the bill for four sparking plugs is R6.40, how much would one cost?

A  
80c

B  
R1.20

C  
R1.40

D  
R1.60

E  
R1.80

(Source: SHL, 2006c).